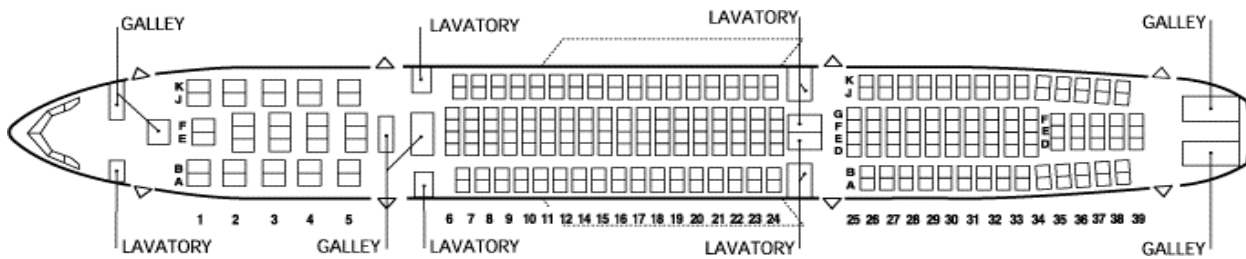


## A 330-228 Aircraft CIC Specification

Freighter Specification	Unit/kgs
Year of Manufacturing	2009
Pay Load (Tonnes)	45(35 Tonnes in Belly 10 Tonnes in Cabin)
Volume (CBM)	155
Forward Compartment Door(HXW in)	66 x 96 in
Aft Compartment Door(HXW in)	66 x 96 in
Bulk Compartment Door (HXW in)	24 x 37 in
Crew Attendants	02
Base	Middle East

### Cargo in Cabin





## Belly Loading

### Forward compartment

4 positions, max. 96 x125 in or 12 LD3 containers

### Aft compartment

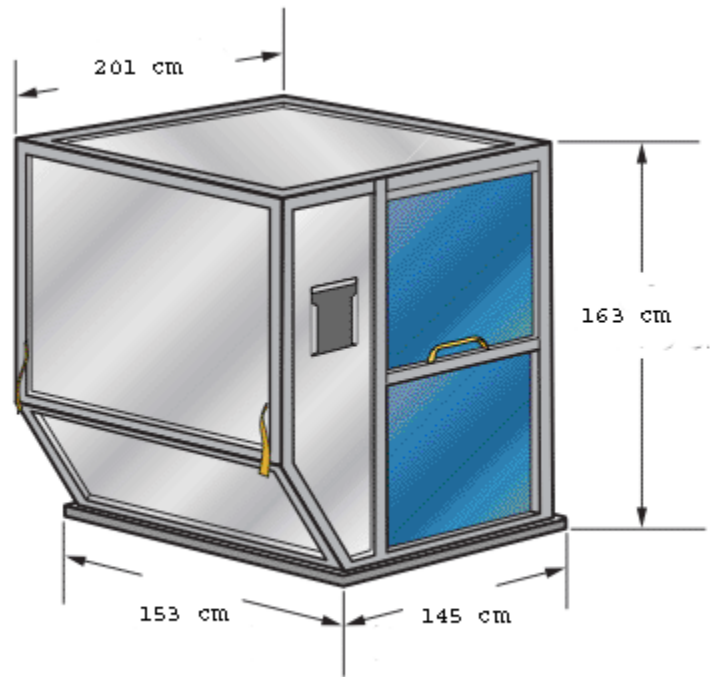
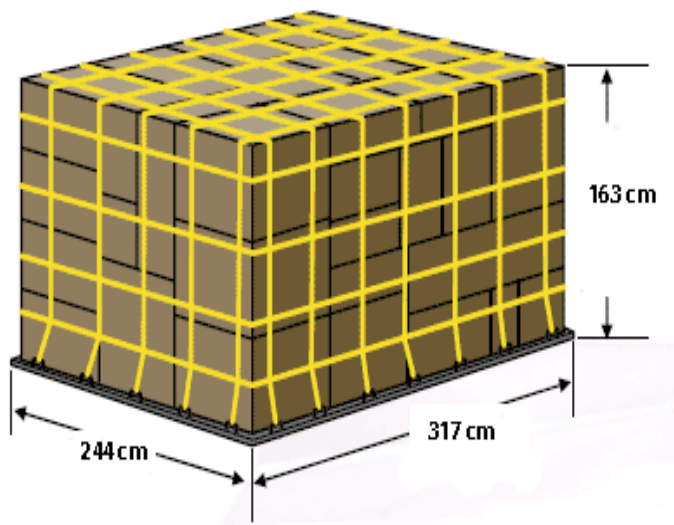
4 positions, max. 96 x125 in or 14 LD3 containers

### Bulk compartment

Loose cargo only

Loading height

Max. 64 in



For Any Enquiry for pallets size for Main Deck/Lower Deck Contact  
+919967676727