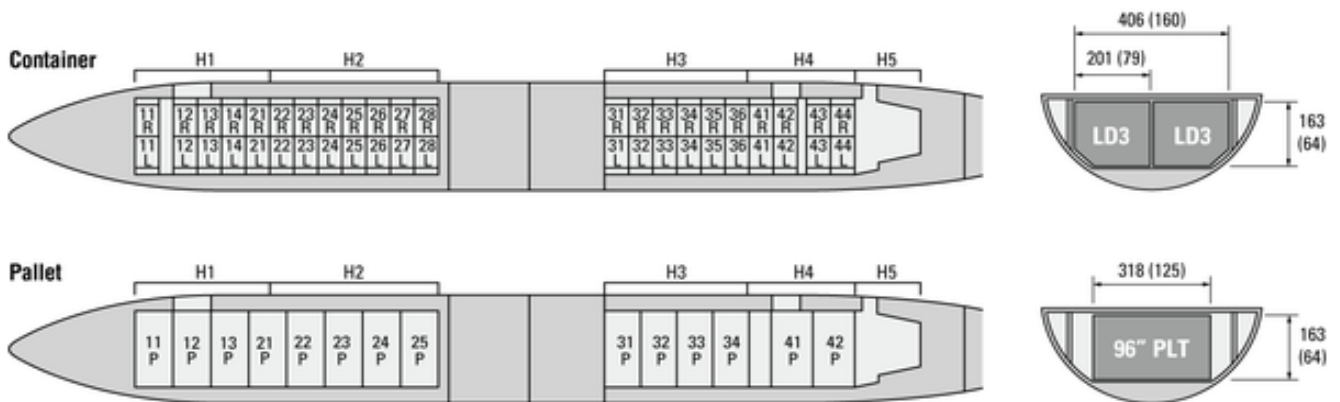
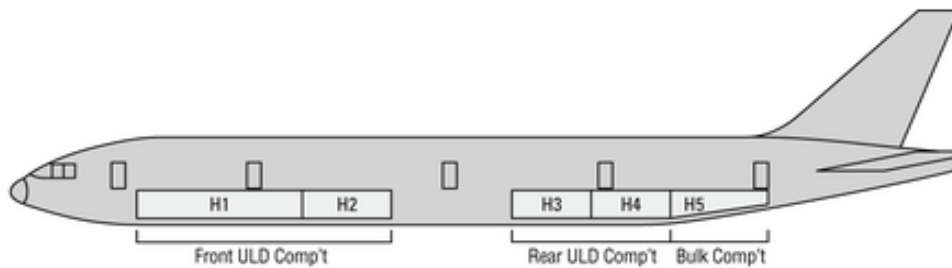


777-300 ER Passenger Freighter Specification

Freighter Specification	Unit/kgs
Year of Manufacturing	2007
Pay Load (Tonnes)	75 (50 Tonnes in belly , 25 Tonnes on Seat/floor)
Volume (CBM)	250
Front Door Dimension(LXH,cm)	269 x 170
Aft Door Dimension(LXH,cm)	269 x 170
Bulk Door Dimension(LXH,cm)	91 x 103
Crew Attendants	02
Base	Middle East



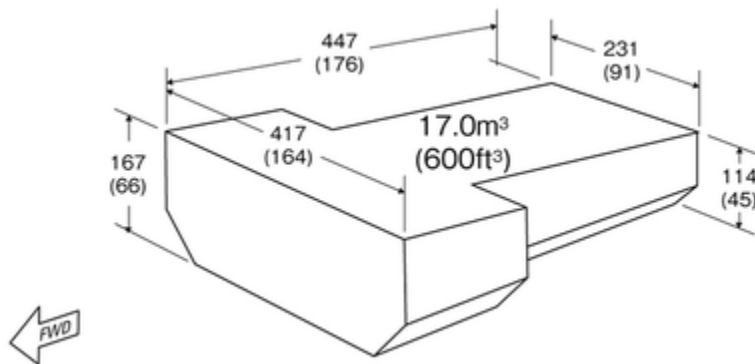
Maximum Number of ULD

Compartment	ULD (300 ER)
FWD	24 Containers / 8 Pallets
AFT	20 Containers / 6 Pallets
TOTAL	44 Containers / 14 Pallets

Weight Limitation

Compartment	Maximum Weight of Loading	Floor Limitation
FWD	30,617kg (67,500lbs)	977kg/m ² (200lbs/ft ²)
AFT	22,226kg (49,000lbs)	977kg/m ² (200lbs/ft ²)
BULK	4,082kg (9,000lbs)	732kg/m ² (150lbs/ft ²)

Bulk Dimension



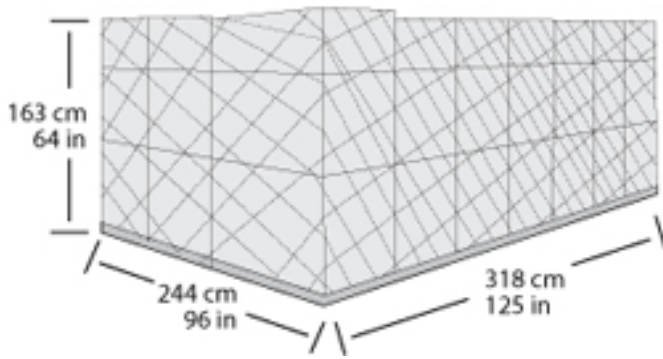
Passenger seat Loading



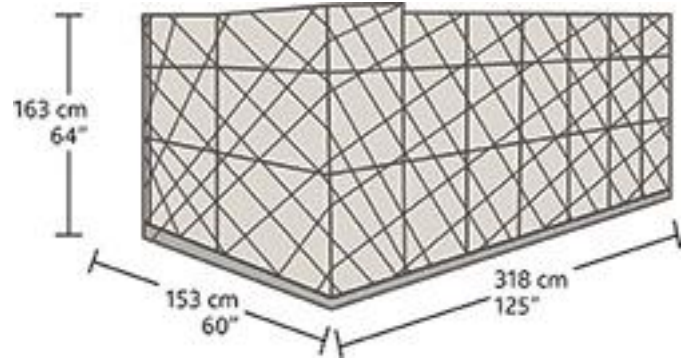
Floor Loading



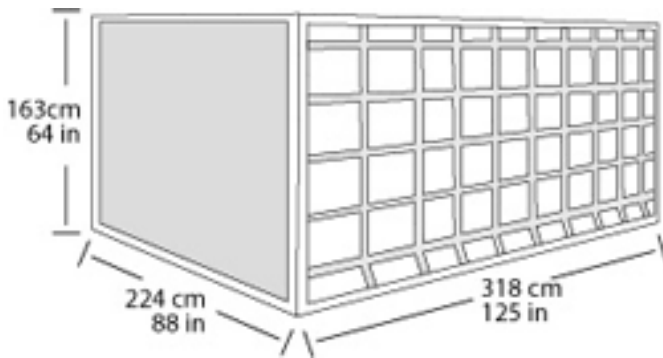
LD7



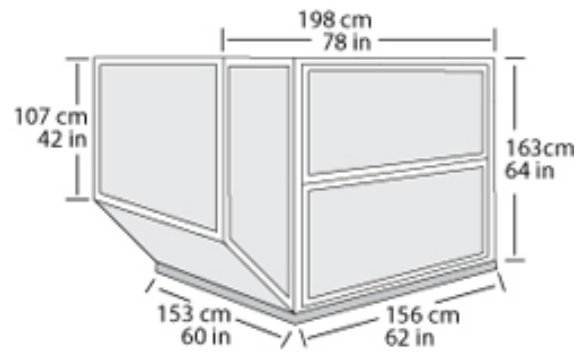
LD11



LD9



LD3



- 150 CBM only belly loading - 40-50 tonnes
- 200 CBM belly plus cabin seat loading- 55-60 Tonnes
- 250 CBM belly plus cabin floor loading - 75 tonnes

For Any Enquiry for pallets size for Main Deck/Lower Deck Contact +919967676727